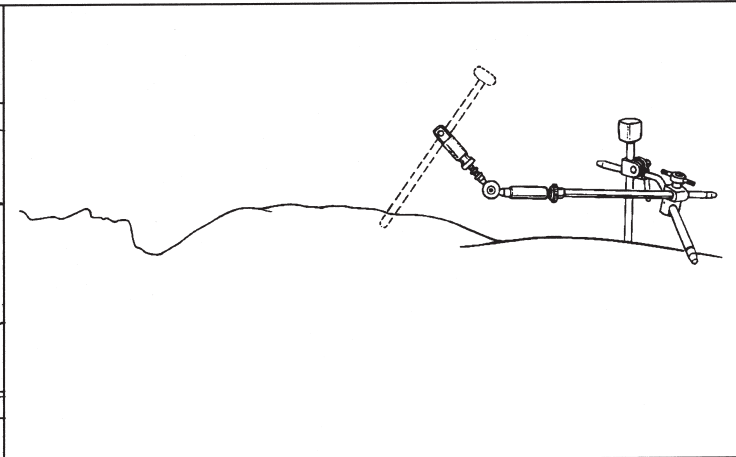
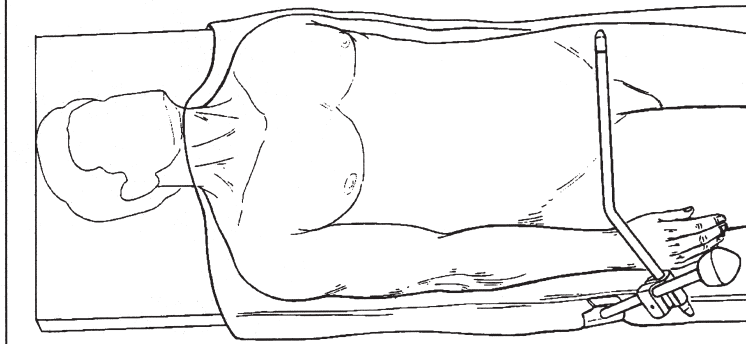
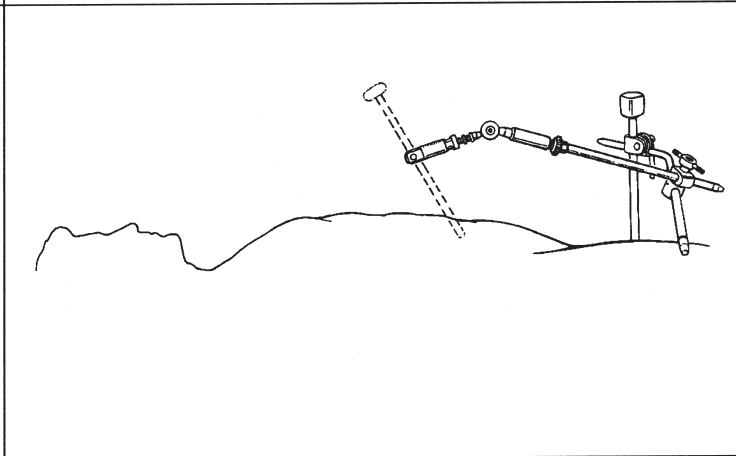
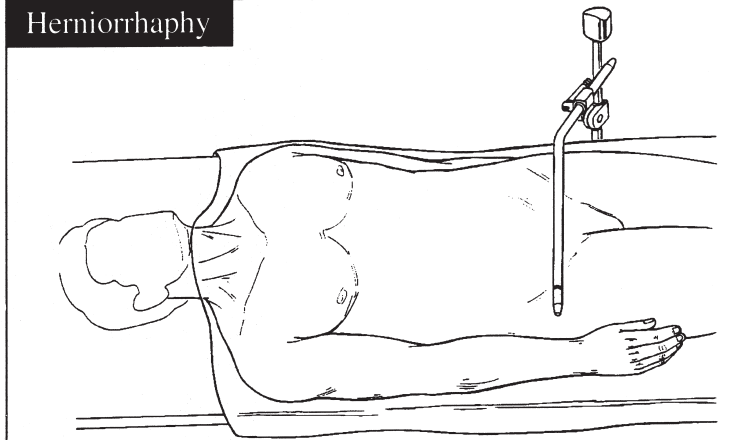


Suggested Positioning

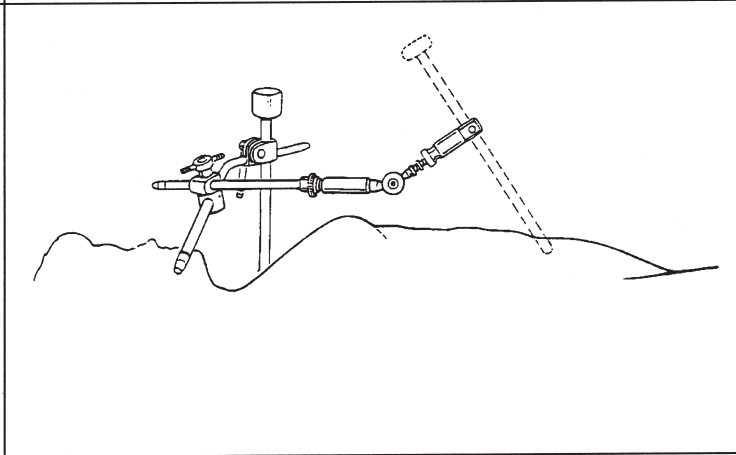
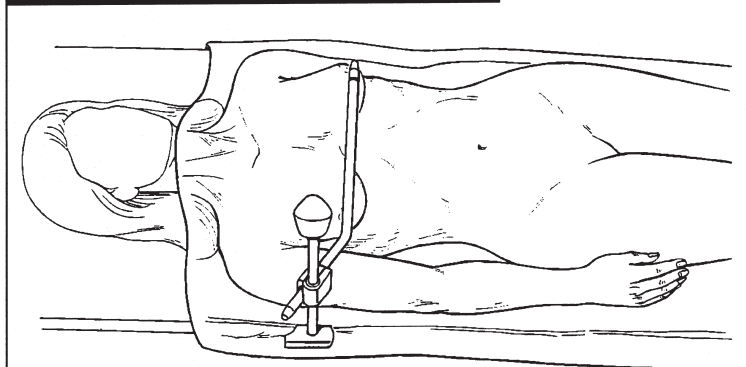
Cholecystectomy



Herniorrhaphy



Lap-Assisted Vaginal Hysterectomy



WARNING: Do not attempt to adjust the scope/instrument position by grasping the camera head. This could result in damage to the camera and/or scope.

Cleaning: Ultrasonic cleaning is recommended. Power washing or hand scrubbing with a soft brush is acceptable.

Lubrication: It is important that all components be regularly lubricated with a surgically accepted instrument lubricant.

Sterilization:

Gravity Sterilizer - 3 minutes at 270° F / 132° C
Prevacuum Sterilizer - 3 minutes at 270° F / 132° C

Excessive and prolonged periods of retraction can cause tissue necrosis. Be sure to relax retractors every 20 minutes.



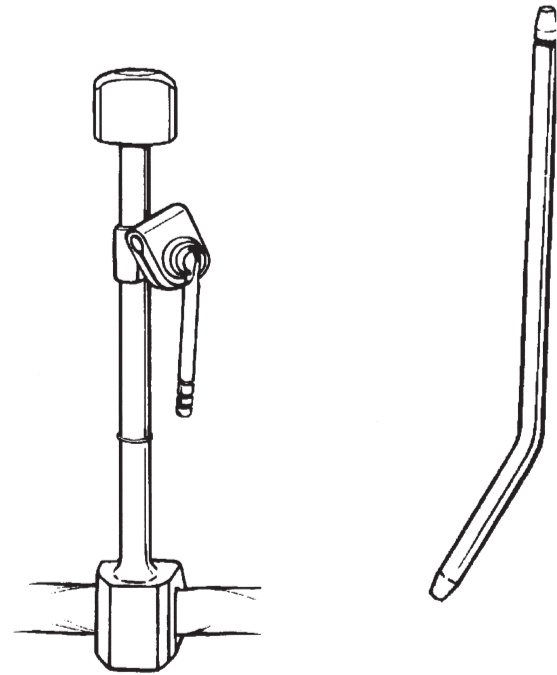
A Division of Minnesota Scientific, Inc.

4849 White Bear Parkway • St. Paul, MN 55110 USA
651-287-4300 • fax: 651-287-4400 • 1-800-367-8657
<http://www.omni-tract.com>

Users Manual

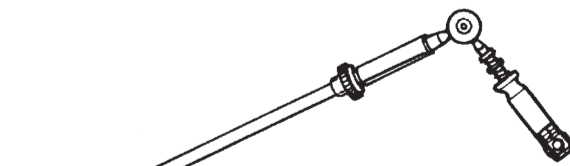
LS150, LS100 LapoTract M.I.S. Support Systems

System Components

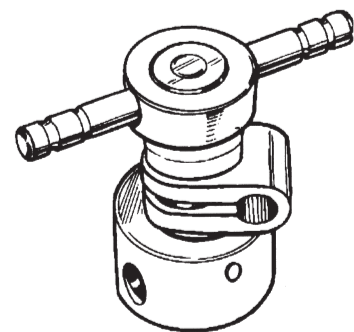


#3732 Angled Arm, 55°

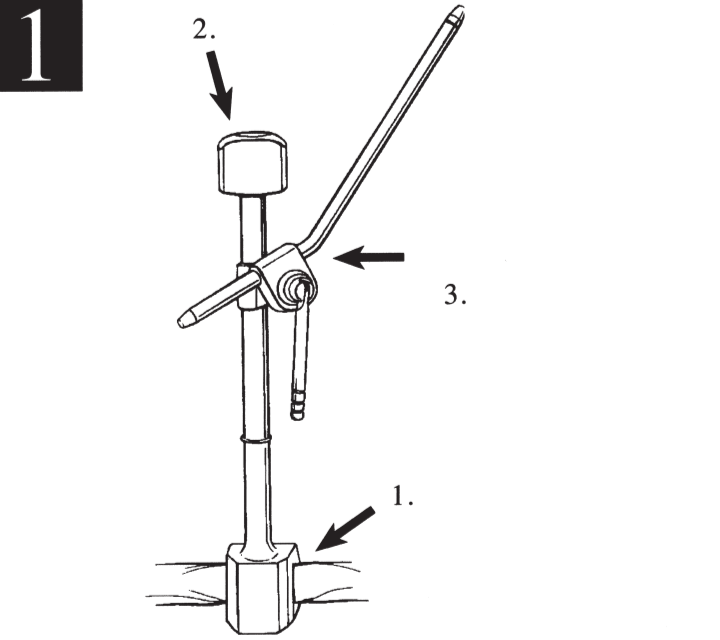
#3700 Omni-Clamp Sterile Field S



#3720 Lapo-Clamp

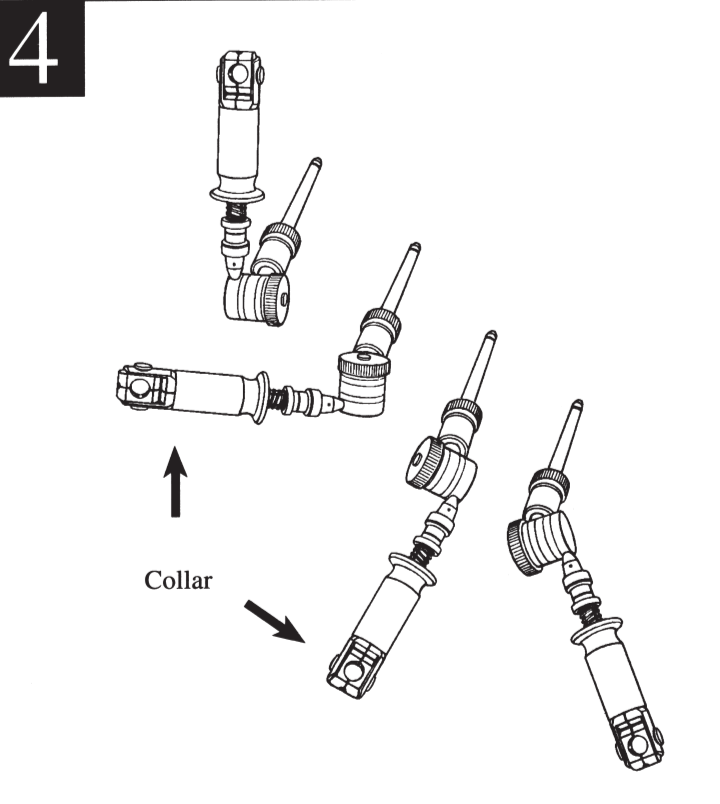


#3740 Flex Clamp

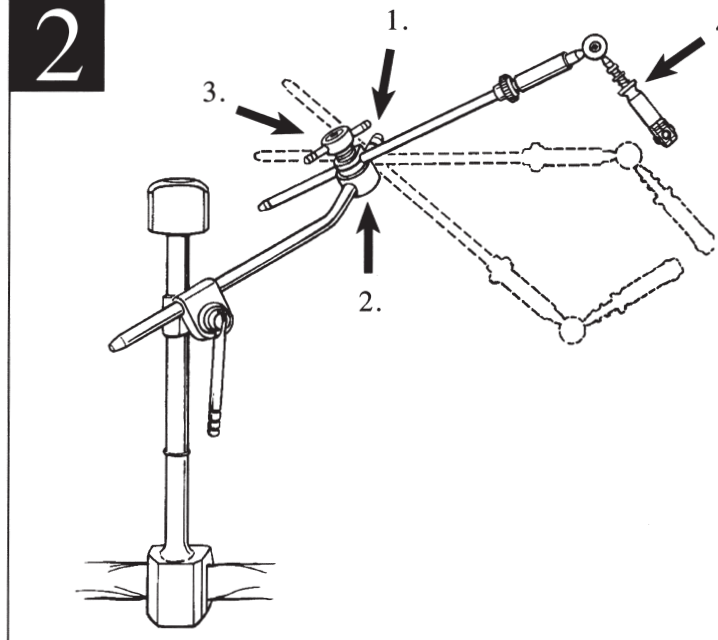


1. Place the Omni-Clamp Sterile Field S on the table rail **over** the sterile drape. **2.** Rotate the knob on top of the post clockwise to secure it to the table rail. **3.** Insert the short end of the angled arm into the clamp assembly, position above the patient and tighten using the handle. The Omni-Clamp Sterile Field S will clamp over a maximum of two layers of cloth drape or three layers of disposable drape.

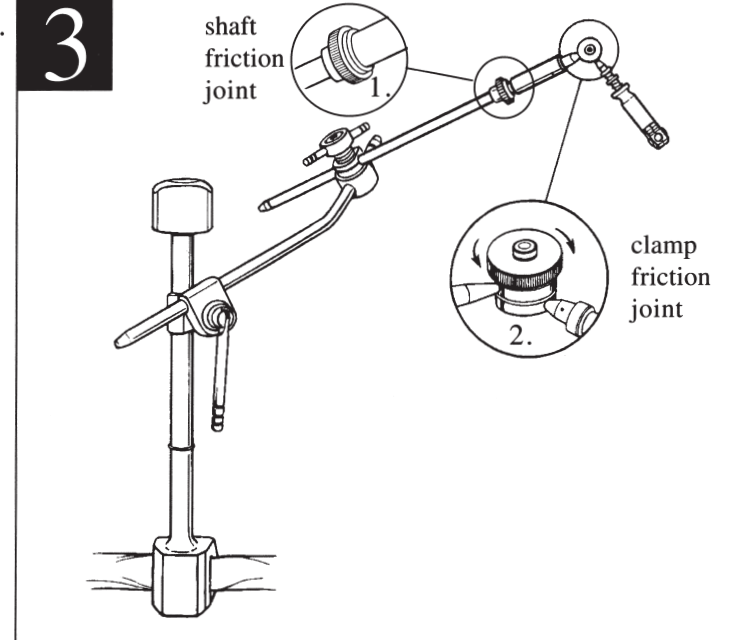
Note: When a patient comes in contact with any part of the post or arm, padding should be used at the effected pressure points.



The Lapo-Clamp can now be easily positioned. Adjustability is maximized by grasping the Lapo-Clamp at the collar and moving the end in "joystick" fashion.

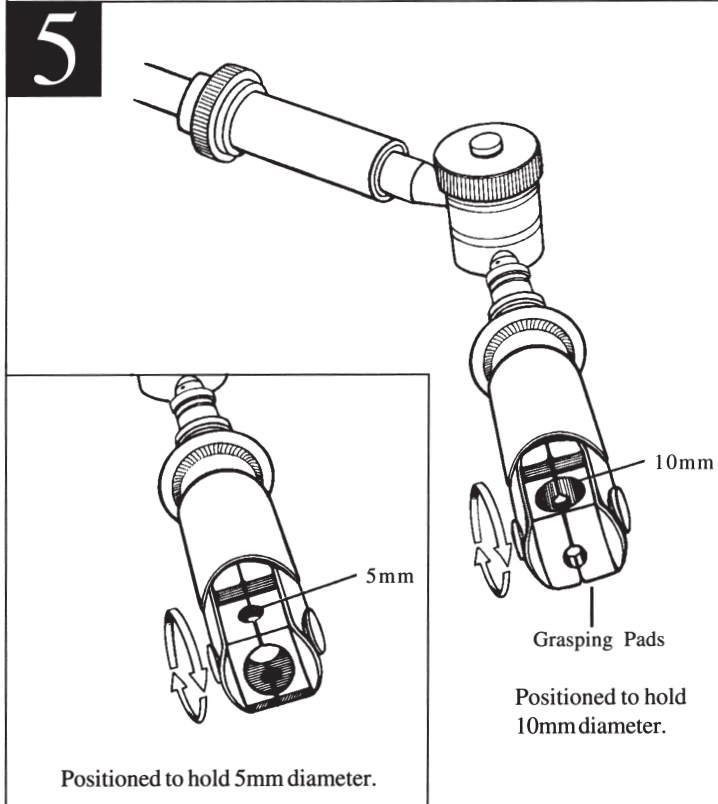


1. Slide the Flex Clamp onto the angled arm. **2.** Slide the shaft of the Lapo-Clamp into the Flex Clamp, position and tighten. **Do not over tighten**, but enough to adequately hold the clamp and scope/instrument in place. **3.** The Flex Clamp will provide complete range of motion flexibility without further adjustment. **4.** Adjust the angle of the shaft and the grasping end of the Lapo-Clamp to approximately 90°.

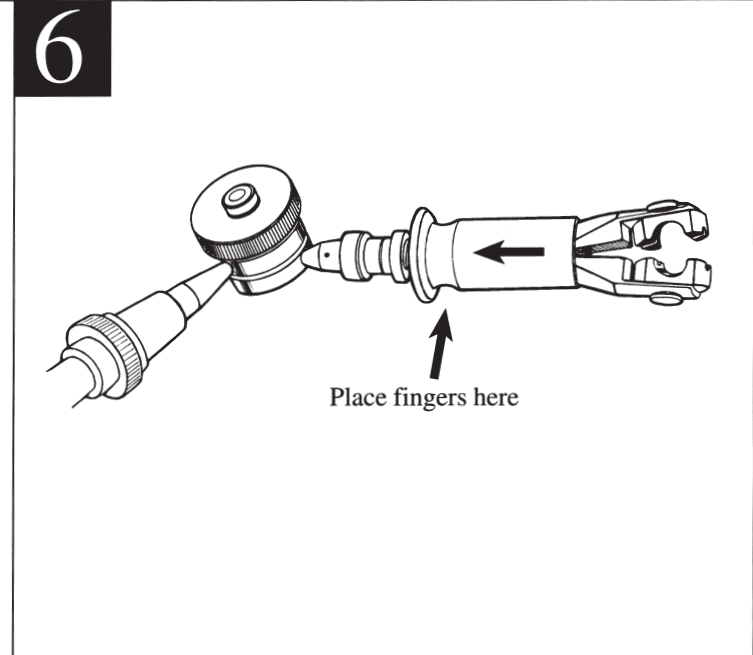


1. Adjust the shaft friction joint by turning the knurled nut clockwise until desired tension is attained. **2.** Adjust the clamp friction joint in the same fashion. **Do not over tighten**, as it will result in a loss of adjustability. With both friction joints adjusted to the desired tension, you will have complete 360° rotation capability. Once adequate tension is achieved, it will remain constant without further adjustment.

To reduce tension, turn the knurled knobs counter-clockwise.



Rotate the grasping pads on the Lapo-Clamp to either the 5mm or 10mm position. Align the pad openings so that the same size diameters are attained on both sides. This is easily achieved by rotating both pads simultaneously while the clamp is closed.



Using the clamp friction joint for support, place the palm of your hand behind the joint and two fingers on the collar. Pull back the collar and insert the scope/instrument. The Lapo-Clamp will now grasp tightly. To adjust the position of the scope/instrument while attached to the Lapo-Clamp, grasp the collar and clamp friction joint and move both simultaneously. An alternative is to open the jaws as outlined earlier and move the scope/instrument in or out to the desired position. Once positioned, minimal adjustment of the LapoTract is required for stable support.