

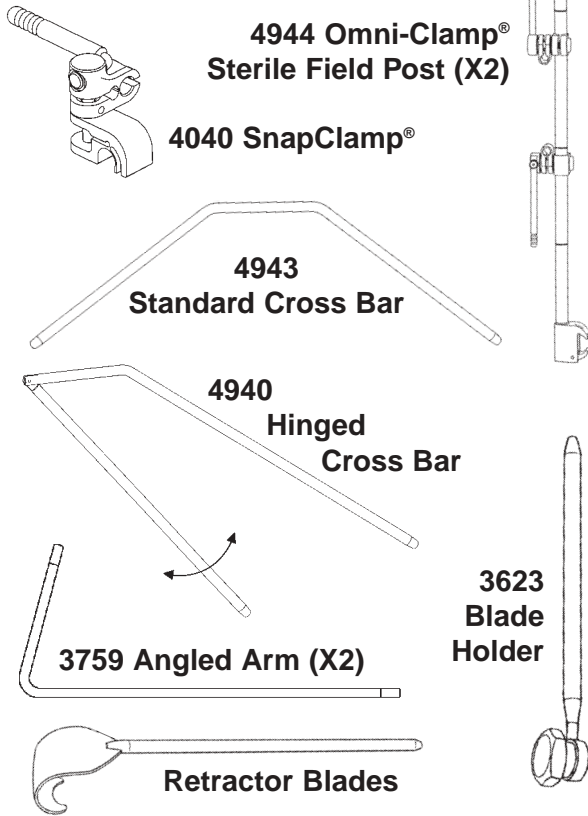
Users Manual

**BF200 FastSystem[®]
Upper Abdominal
Retractor System**

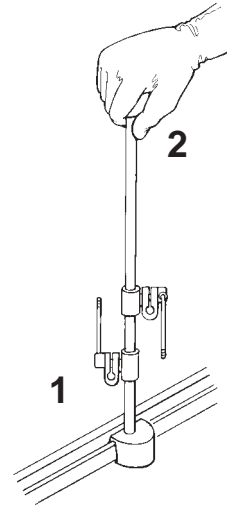


A Division of Minnesota Scientific, Inc.

System Components

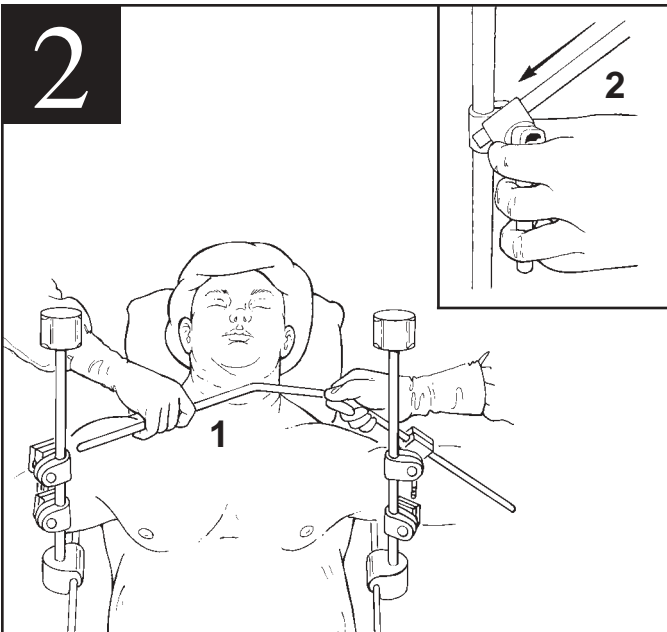


1



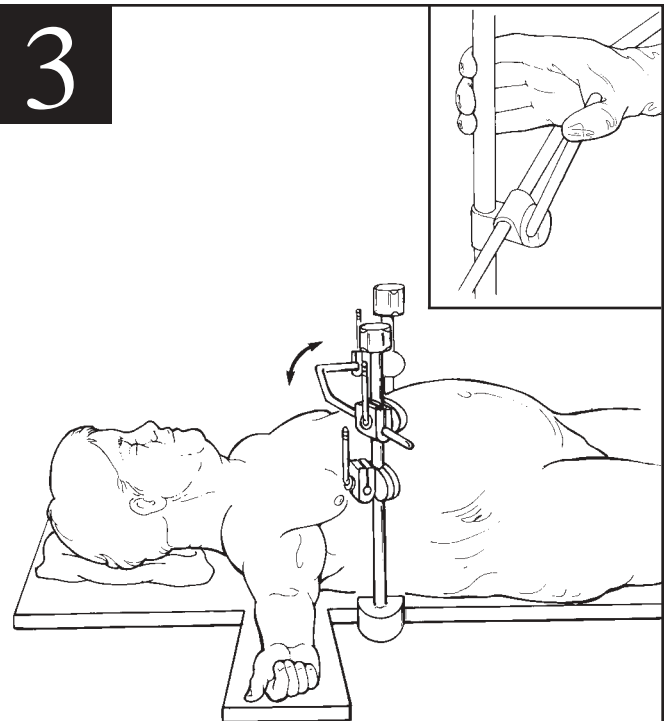
Determine the location of the Omni-Clamp Sterile Field Post (1) relative to the surgical field. Place the post on the O.R. table rail over the drape. Rotate the knob (2) clockwise to secure it to the table. Repeat the above steps with the second Omni-Clamp Sterile Field Post on the opposite side of the table. **Note: For most abdominal procedures place the Omni-Clamp Sterile Field Post as close to the arm boards as possible.**

2



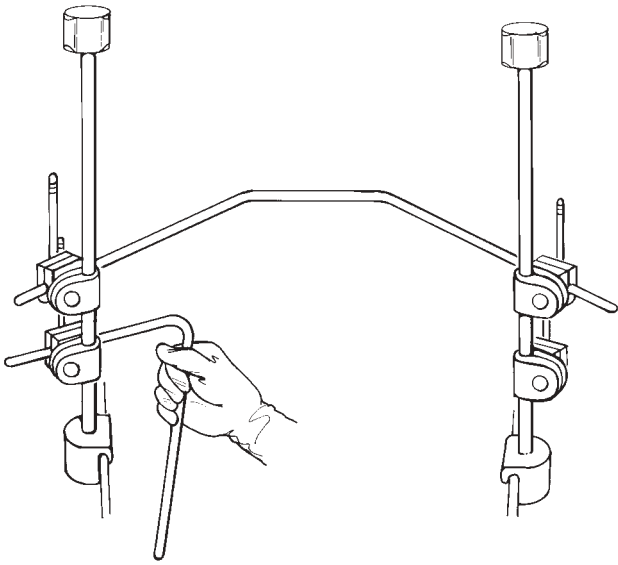
Insert the cross bar (1) into the upper post clamp of the Sterile Field Post and then into the upper clamp of the other post. Support the clamp while inserting the cross bar (2). A hinged cross bar has been provided for extremely obese patients and when table rail extenders are utilized.

3



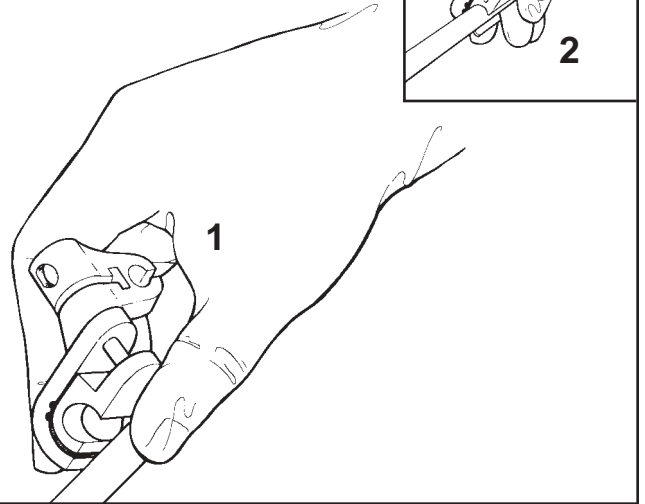
The cross bar is free to rotate in the post clamps. Adjust the cross arm to the desired position and lock the upper clamps by pushing the clamp handles to the up position.

4



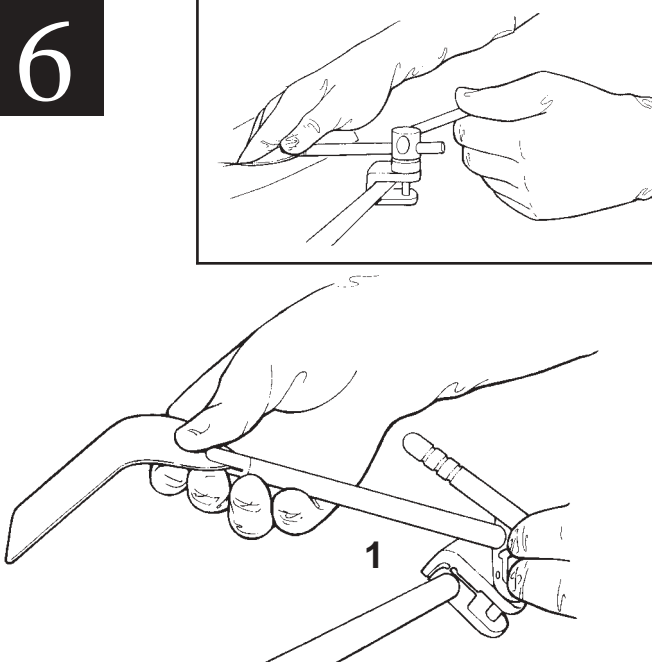
Insert the angled arms into the lower post joints. Adjust the position and lock the clamp by pushing the clamp handle down.

5



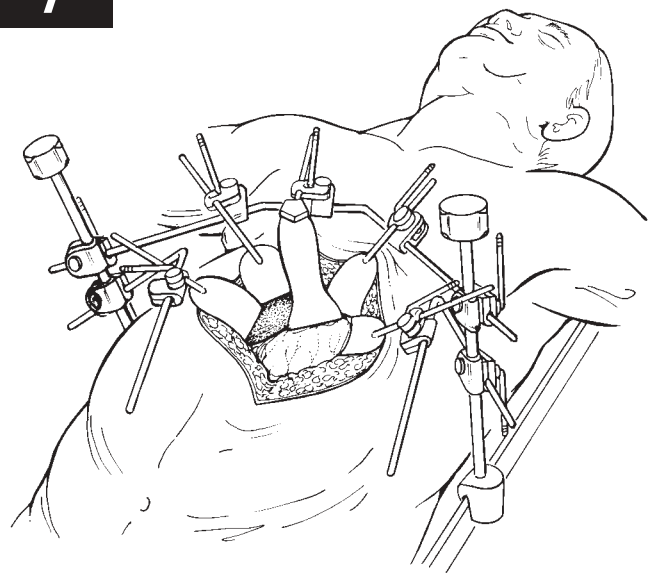
To attach SnapClamps, hold the clamp on the inside of the frame with the jaws ready to receive the frame (1). Squeeze the clamp on to the frame (2). **Note: Be sure the handle on the SnapClamp is in the locked position.**

6



Select the appropriate retractor, place the retractor shaft into the clamp and introduce the blade into the wound (1). Secure the retractor in the desired position by pushing the SnapClamp securing handle into the locked position.

7



The BF200 Retractor allows you to adjust frame arms independently to provide a multi-level platform. SnapClamps and blades adjust to practically any angle to provide you with superior, hands-free exposure.

Cleaning and Sterilization

Cleaning: Ultrasonic cleaning is recommended. Power washing or hand scrubbing with a soft brush is acceptable.

Lubrication: It is important that all components be regularly lubricated with a surgically accepted instrument lubricant.

Sterilization:

Gravity Sterilizer - 3 minutes at 270°F/132°C

Prevacuum Sterilizer - 3 minutes at 270°F/132°C

Note: Excessive and prolonged periods of retraction can cause tissue necrosis. **Be sure to relax retractors every 20 minutes.**



A Division of Minnesota Scientific, Inc.

4849 White Bear Parkway • St. Paul, MN 55110-3325 USA

(651) 287-4300 • FAX (651) 287-4400 • 1-800-367-8657

<http://www.omni-tract.com>

